

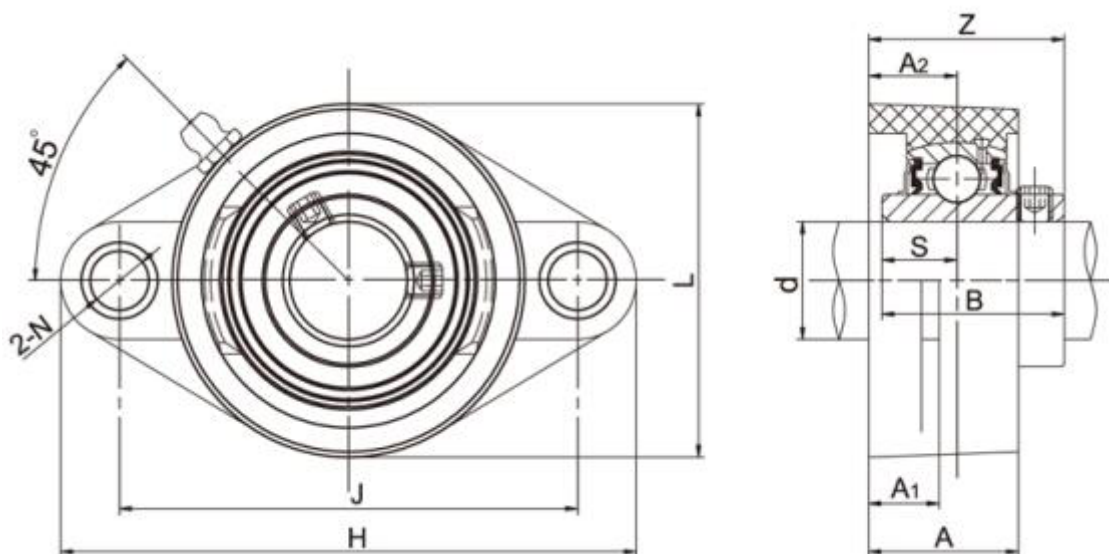
Data Sheet



Article number: 54810642091

Description: 2 hole Flange Unit TP-SUCFL209 for shaft $\text{\O}45\text{mm}$
Insert stainless steel, housing Thermoplastic black

Measures



A = 41	L = 108
A1 = 21	N = 17
A2 = 24	S = 19
B = 49.2	Z = 54.2
Bolt = M16	
d = 45	
H = 189	
J = 148.5	